

COMFORT-COVE

Model C-Series

Warm Your Floor and More™

SAVE THESE INSTRUCTIONS

3/1/2021

Thank you for choosing
Comfort-Cove®!

American Made Product



Radiant Systems, Inc., proudly manufacturers Comfort-Cove® in the Heartland of America; in Valentine, Nebraska, USA. Our Comfort-Cove® heaters are even compliant with the *Buy American Act*.

Then & Now

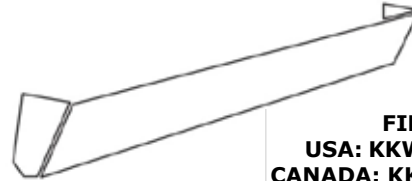
We started like most American businesses, by an individual with an idea and determination. Our story began back in 1985 with founder and owner, Kirk Sharp. Production began in his basement and is now operating out of a 30,000-square foot factory. The Comfort-Cove® heater has constantly been innovated, engineered, and improved for optimum performance, for the last 30 years.

From the Owner

Thank you for choosing Comfort-Cove® for your heating needs, we take pride in our work and would like to thank you for supporting a local business such as ours, we wouldn't be here without you.

R. Kirk Sharp

R. Kirk Sharp



FILE #
USA: KKWS.E99303
CANADA: KKWS7.E99303



IMPORTANT INSTRUCTIONS



SAVE THESE INSTRUCTIONS

Read Carefully – These instructions are written to help you prevent difficulties that might arise during installation of heaters. Studying the instructions first may save you considerable time and money later. Observe the following procedures, and cut your mounting time to a minimum.

REDUCE RISK OF ELECTRIC SHOCK:

1. Read all instructions before installing or using this heater
2. This heater is hot when in use. To avoid burns do not let bare skin touch hot surfaces. Keep combustible materials such as curtains or drapes at least 1 inch away from the bottom of the heater and keep at least 1 inch from both sides
3. Do not operate any heater if it malfunctions. Disconnect power at service panel and have heater inspected by an electrician before reusing.
4. Do not use outdoors
5. To disconnect heater, turn controls to off, and turn off power to heater circuit at main disconnect panel.
6. Do not insert or allow foreign objects to enter any ventilation or exhaust opening as this may cause an electric shock, fire, or damage to the heater
7. To disconnect heater, turn controls to off, and turn off power to heater circuit at main disconnect panel
8. Not approved for use in hazardous storage locations
9. This heater is not approved for use in corrosive atmospheres
10. Use this heater only as described in this manual. Any other use not recommended by the manufacturer may cause fire, electric shock, or injury to persons

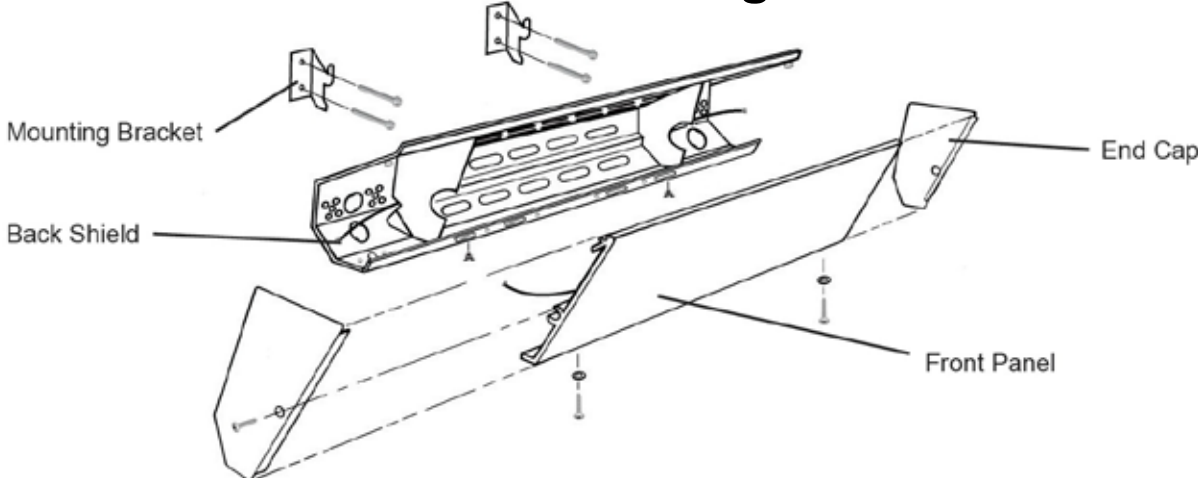
MAINTENANCE SCHEDULE:

1. No maintenance required
2. If dusting the top of heater is desired, disconnect at circuit breaker and heating element is cool, using a dry rag or duster and swipe the entire top of heater

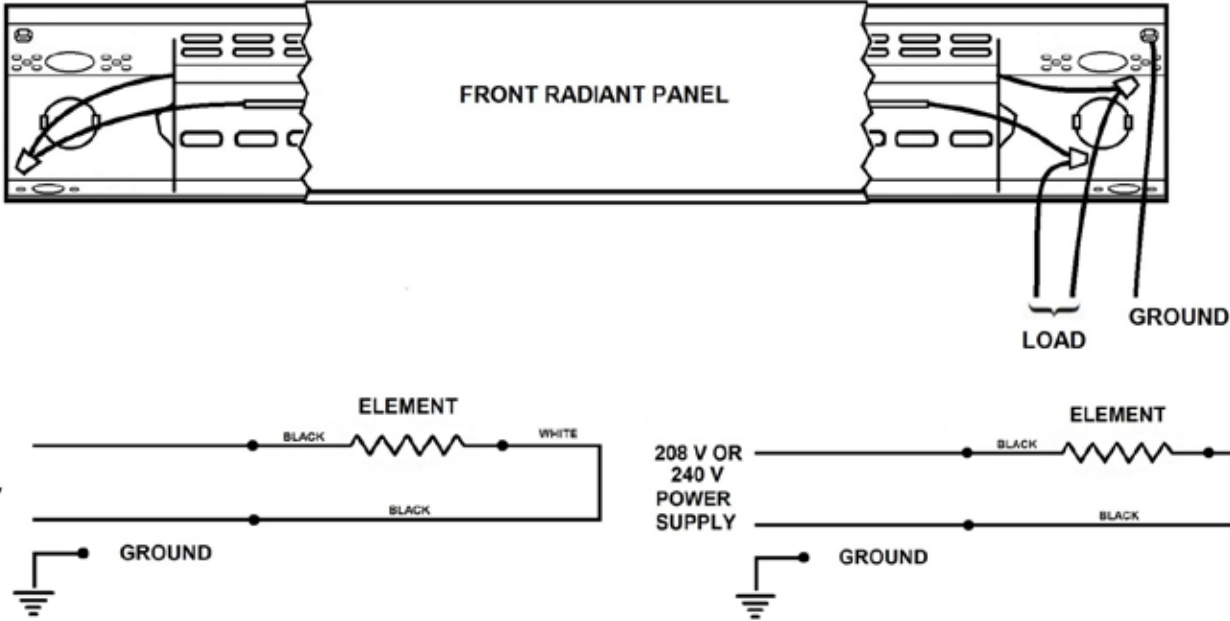
www.ComfortCove.com

1-800-314-9303 8AM – 5PM CST

Comfort-Cove® Installation & Wiring

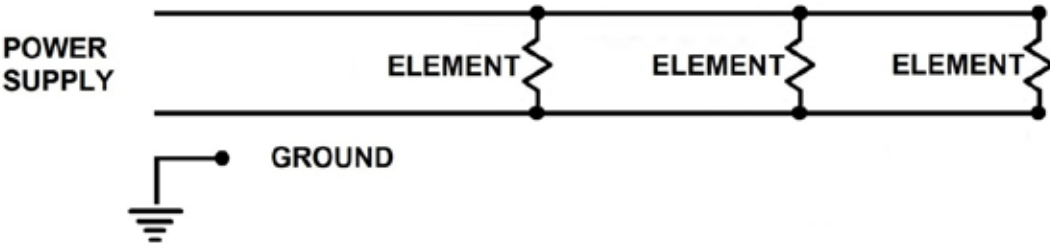


SINGLE COMFORT-COVE CONNECTION



MULTIPLE COMFORT-COVE CONNECTION

1. Allow 1" clearance between heaters
2. Do not exceed 16 amperes per circuit
3. Do not exceed thermostat ratings
4. Comfort-Coves must be wired in Parallel



Commonly Asked Questions

Q. How do I clean the front panel if it gets a smudge?

A. Turn off power to the heater at the circuit breaker and the heating element is cool. Do not use chemicals of any kind. Simply take a clean, damp white cotton washcloth and wipe the surface clean.

Q. Can I paint the heater?

A. Never paint the heater with aftermarket paint. Contact factory to obtain approved coating materials.

Q. Which costs less to operate 120 volt or 240 volt?

A. Electricity is billed by kilowatt-hours, voltage makes no difference.

Q. What is the best mounting location, an interior, exterior wall or above a window?

A. You can mount on any wall, we simply recommend mounting where it is most convenient to wire and or appealing to the user.

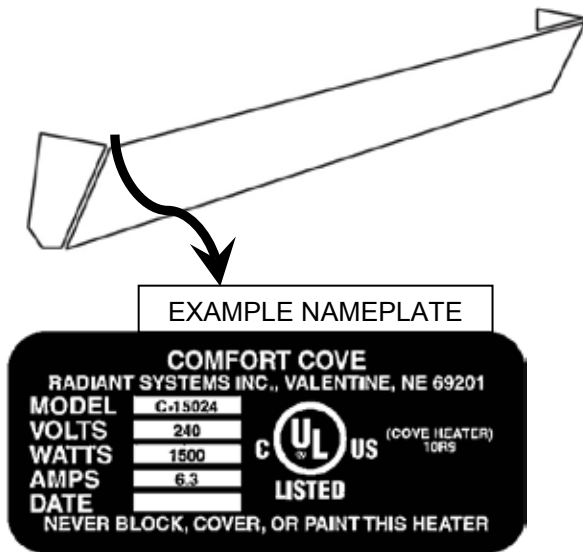
Q. Where is the most efficient place to mount the thermostat?

A. Temperature controls are most accurate on interior walls. Mount where it is convenient to wire and for the user to operate. Do not mount directly above dimmer switches.

Comfort-Cove Replacement Parts & Specifications

From high quality, locally sourced raw materials, Comfort-Cove® is specifically engineered for fast installation with easily replaceable parts.

For replacement parts, simply refer to your Comfort-Cove® specifications Nameplate located on the top of the Back Shield for heater information. Have model number ready when contacting factory for replacement parts. See below for example.



Model #	Wattage	Voltage	Amperes	Length	Weight
C-4512	450	120	3.8	34"	6 lbs
C-4508		208	2.2	34"	
C-4524		240	1.6	34"	
C-6012	600	120	5.0	47"	8 lbs
C-6008		208	2.9	47"	
C-6024		240	2.5	47"	
C-7512	750	120	6.2	59"	10 lbs
C-7508		208	3.6	59"	
C-7524		240	3.1	59"	
C-9012	900	120	7.6	71"	12 lbs
C-9008		208	4.3	71"	
C-9024		240	3.8	71"	
C-10512	1050	120	8.8	83"	13 lbs
C-10508		208	5.0	83"	
C-10524		240	4.4	83"	
C-12012	1200	120	10.0	88"	14 lbs
C-12008		208	5.8	88"	
C-12024		240	5.0	88"	
C-15012	1500	120	12.5	94"	15 lbs
C-15008		208	7.2	94"	
C-15024		240	6.3	94"	
C-18008	1800	208	8.6	106 1/4"	18 lbs
C-18024		240	7.5	106 1/4"	
C-20008	2000	208	9.6	118 1/4"	20 lbs
C-20024		240	8.3	118 1/4"	

10 Year Limited Warranty

Radiant Systems, Inc., will replace any heating element found to be defective for a period of ten years from date of purchase. All other components are warranted for a period of one year from date of purchase. Warranty does not apply to damage from accidents, misuse, or alteration, connected to voltage is 5% above the nameplate voltage, nor to equipment improperly installed, wired, or maintained in violation of the instruction manual. This warranty is only valid in the fifty states of the United States. All warranty items FOB: Radiant Systems, Inc. Radiant Systems, Inc., will not be responsible for any incurred labor charges.



Service, Questions & Warranty:

1-800-314-9303 8AM-5PM CST

FAX:

1-402-376-3064

1006 West Highway 20
 P.O. Box 47
 Valentine, NE 69201

www.comfortcove.com